



SUNCOMBE
CIP, BIOWASTE & PROCESS SOLUTIONS

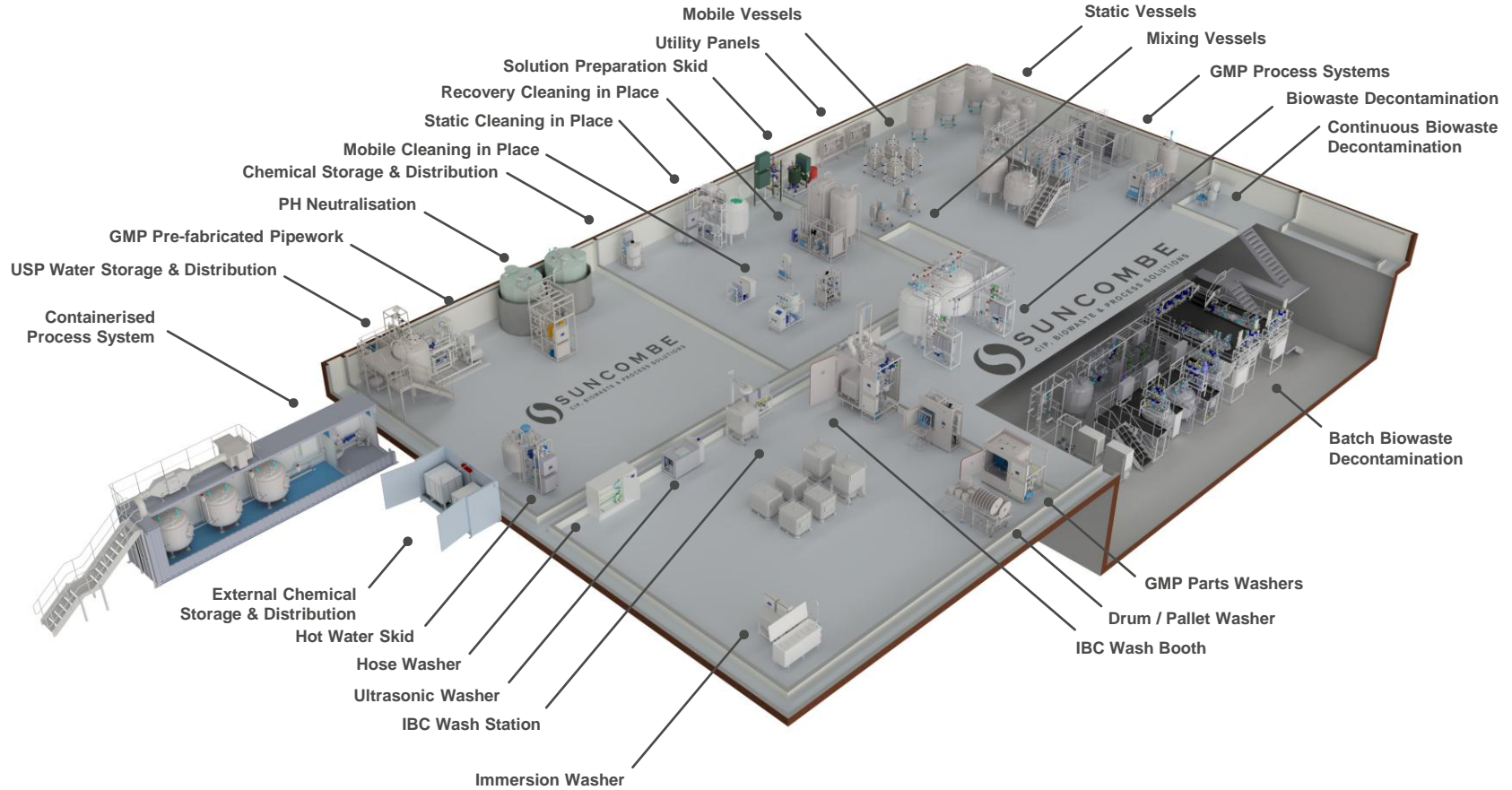
IBC Wash Booth™



Suncombe Ltd, Jade House, Lockfield Avenue, Brimsdown, Enfield, Middlesex, EN37JY, United Kingdom

T +44(0)20-8443-3454 F +44(0)20-8443-3969 E info@suncombe.com W www.suncombe.com

www.suncombe.com



Product Portfolio

IBCWashBooth™ and DuoBooth™ Introduction

The Suncombe IBCWashBooth™ is a high specification unit, using an innovative spray technique, that offers a contained, validatable unit to clean and dry Intermediate Bulk Containers (IBCs). Achieving excellent cleaning using high impact accurate spray targeting, they incorporate existing and new technologies to provide an environmentally friendly, low water and energy usage washing facility for IBC washing. The Suncombe DuoBooth™ is used on high throughput systems, where two IBCs are cleaned simultaneously in a single booth.

Description

Built to hygienic and sanitary standards and complying with ASME BPE, GAMP, ISPE and 21CFR11, the IBCWashBooth™ is available as a single door or pass through version, supplied worldwide to the Biotech, Pharmaceutical, Medical, Healthcare, Personal Care and other critical processing industries. Including internal and external IBC cleaning and drying, they incorporate technologies to provide repeatable patterns to ensure total coverage of all surfaces. The BoothWasher™ provides liquid heating, chemical dosing, air drying, valving, pumps, instrumentation and an in-built control system.

Features

- 316L Stainless steel radius-corners, sloping design, crevice-free Washing Chamber
- Floor mounted or pit mounted booth with adjustable levelling
- Insulated Construction
- Standard and Special Chamber Sizes including DuoBooth™ twin IBC washing cabinets.
- One to four chemical dosing systems
- Automatic locking hinged door with window and internal light
- Inflatable door seal for full containment
- Variants for cone and butterfly valve operation
- Special trolleys for drum and hose cleaning
- In-built CIP System for validated washing—can be remote mounted
- Hygienic Pumps, Valves and instruments
- Stainless Steel covers
- Local or remote mounted HEPA filtered air drying and cooling

Location and Mounting

The Wash Booths can be mounted in a floor pit for floor level loading, loaded using lifter trucks or conveyor loaded.



Floor Mounted

Pit Mounted



Manufacturing Standards

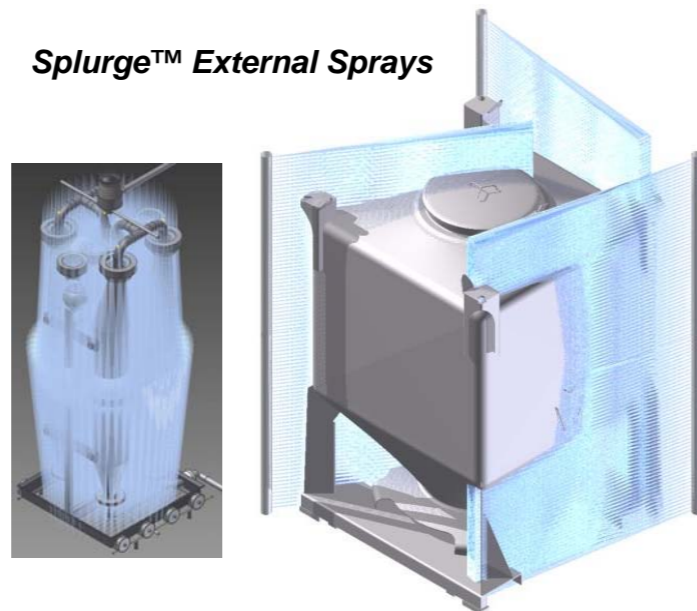
- 316 stainless steel product contact parts, 304 non-contact parts, Hastelloy and Duplex Stainless
- ASME BPE, 3A, cGMP standards, fully drainable, crevice free.
- T.I.G. Welding; using an argon gas purge, using a computer controlled enclosed head orbital welding plant, carried out by technicians coded to EN 287, to Suncombe procedures coded to EN ISO 15609, tested to EN ISO 15614 Part 1.
- ASME BPE standard PIPework, fully annealed, chemistry to ASTM A-269, manufactured to ASTM A-270, and 3A Standard.



External Cleaning

External cleaning is provided by Suncombe exclusive Splurge Bars, providing repeatable results at low flow and low energy usage.

Splurge™ External Sprays



Component Trolleys

The Washers can also be used to wash and clean other equipment. Custom designed trolleys and racks are available, with 3D models, to clean any equipment required in a repeatable, validateable method.

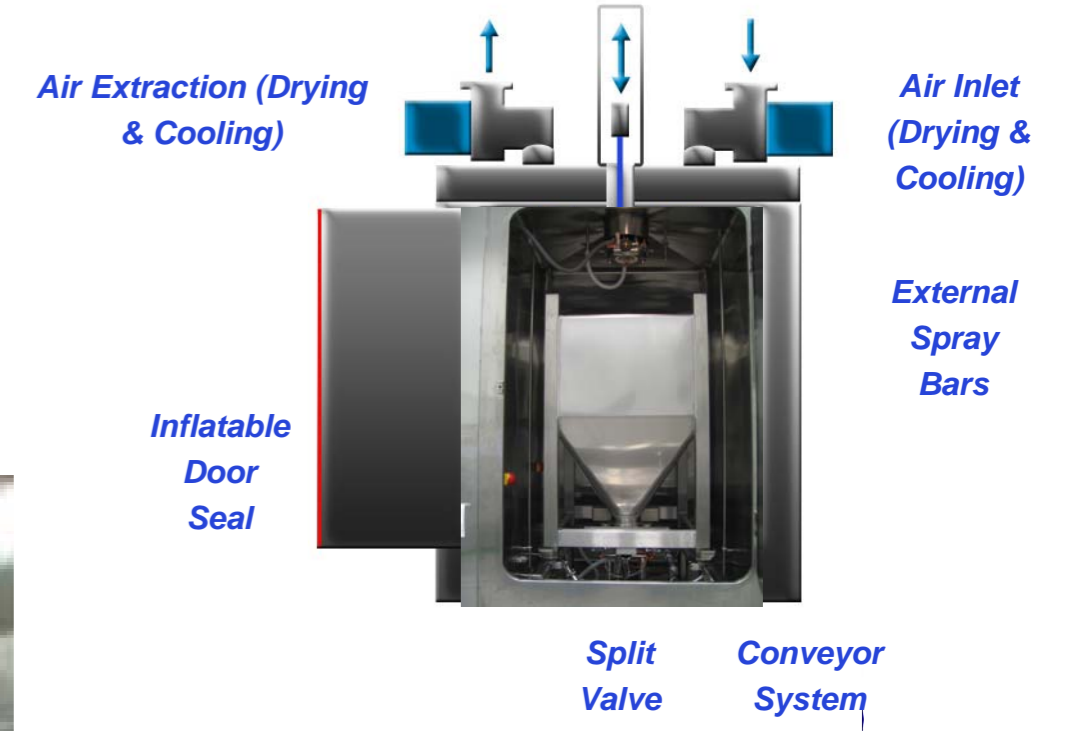
Loaded and Unloaded Component Trolley>



IBC Washer Accessories

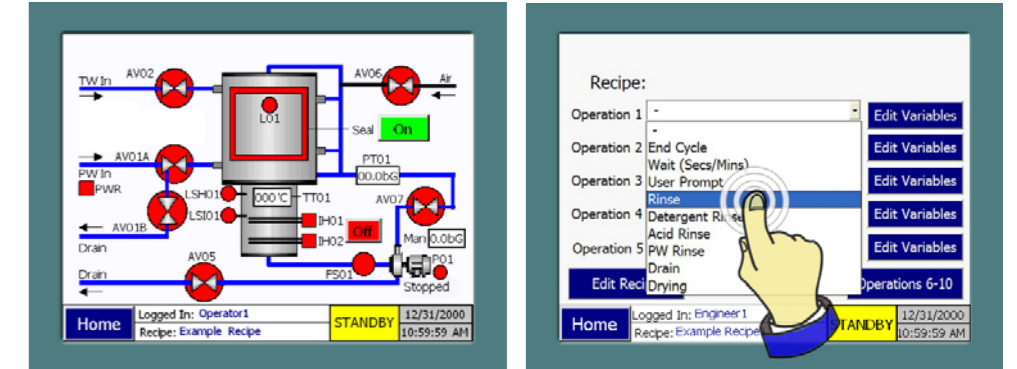
The IBC Washers can be fitted with many accessories including:

- Cone Valve Actuation
- Split Butterfly Valve Actuation
- Automatic Lid Removal
- Automatic Doors
- Loading Conveyors and Cartridges
- Automatic Loading and Unloading Systems
- Bar Code Identification
- Lights Out Operation

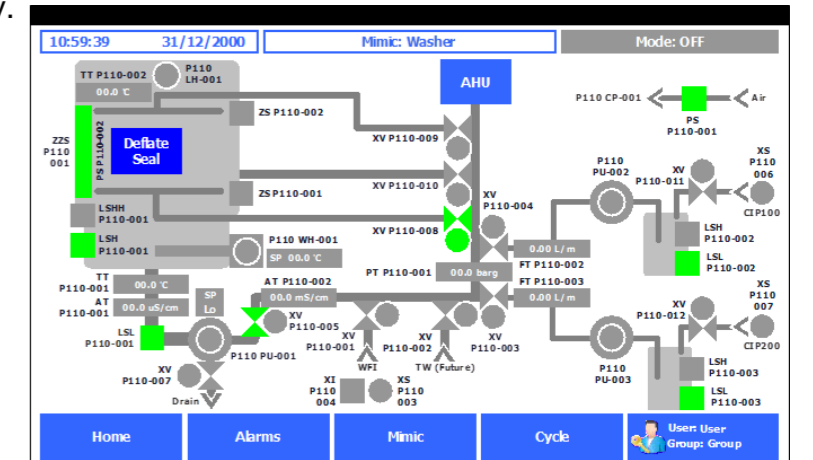


Automation

ControlSuite#2000™ - Automatic control system with 100 fully configurable recipes, time changeable recipes, I/O faceplates, Mimic diagrams, Hard wired interfaces, Printer, Repeatable automatic cycles, User control with passwords, In built troubleshooting and diagnostic ability.



ControlSuite#3000™ - Automatic control system with 100 fully configurable recipes, variable changeable recipes, I/O faceplates, Mimic diagrams, profibus, Ethernet and hard wired interfaces, Printer, Datalogger, Repeatable automatic cycles, User control with passwords, In built troubleshooting and diagnostic ability.



ControlSuite™ 2 to 4 Versatile Recipe Control

Build your own recipe/operational method from sequences, including:

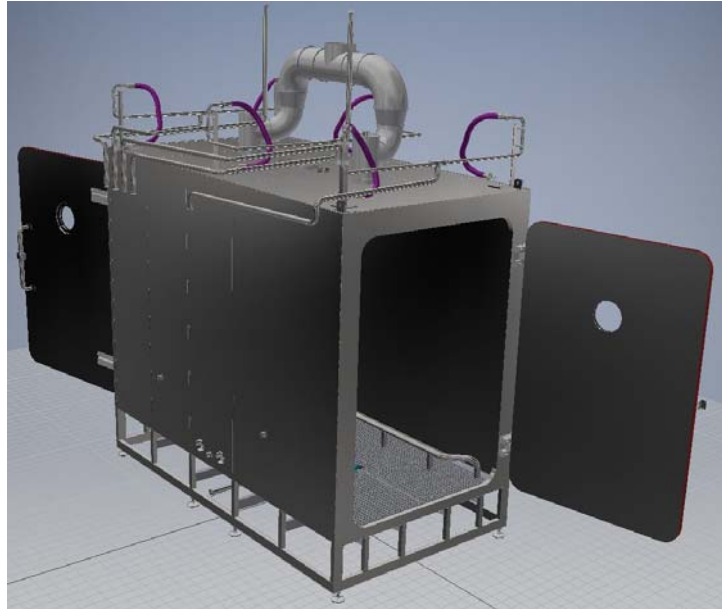
- Flush to drain
- Pre-rinse
- Chemical make-up
- Recirculation Cleaning
- Single Pass Cleaning
- Final rinse
- Drain
- Air Purge
- Self CIP



Typical IBCWashBooth



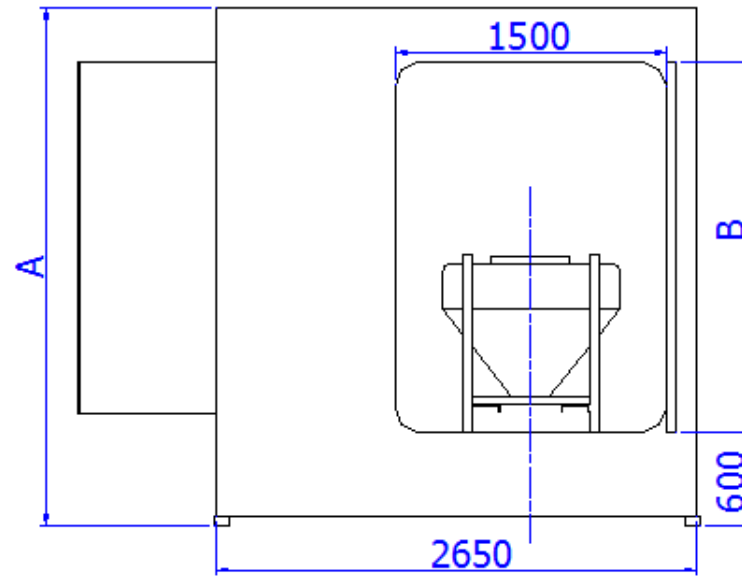
Typical IBCWashBooth Model



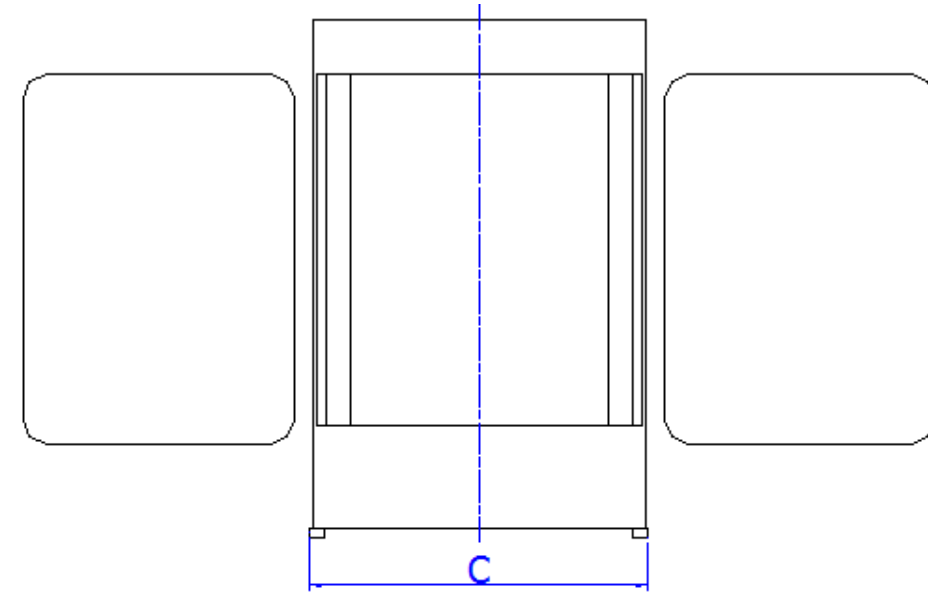
Typical IBCWashBooth Split Valve



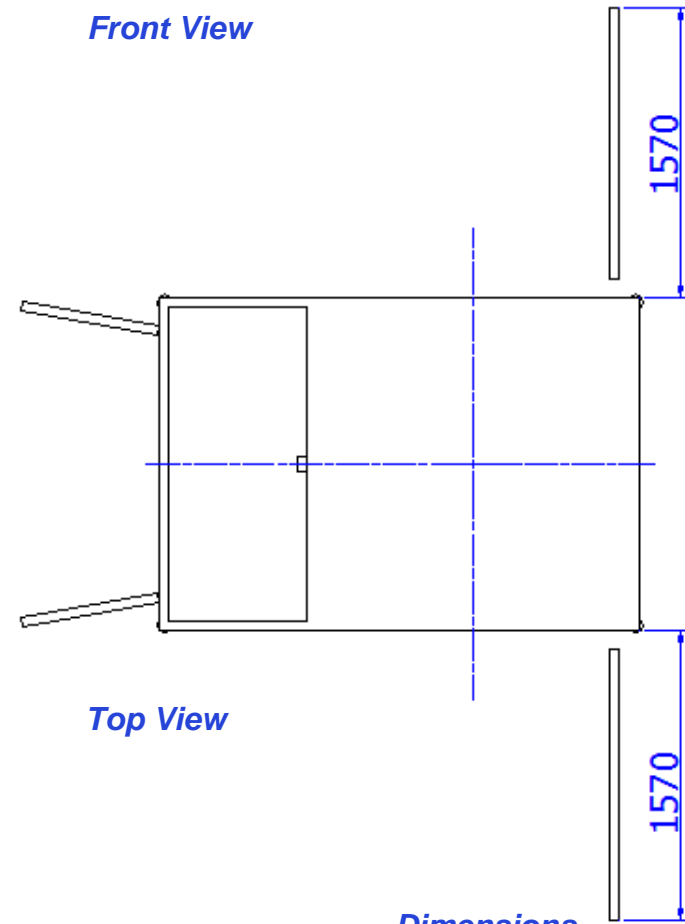
IBCWashBooth™ Layout



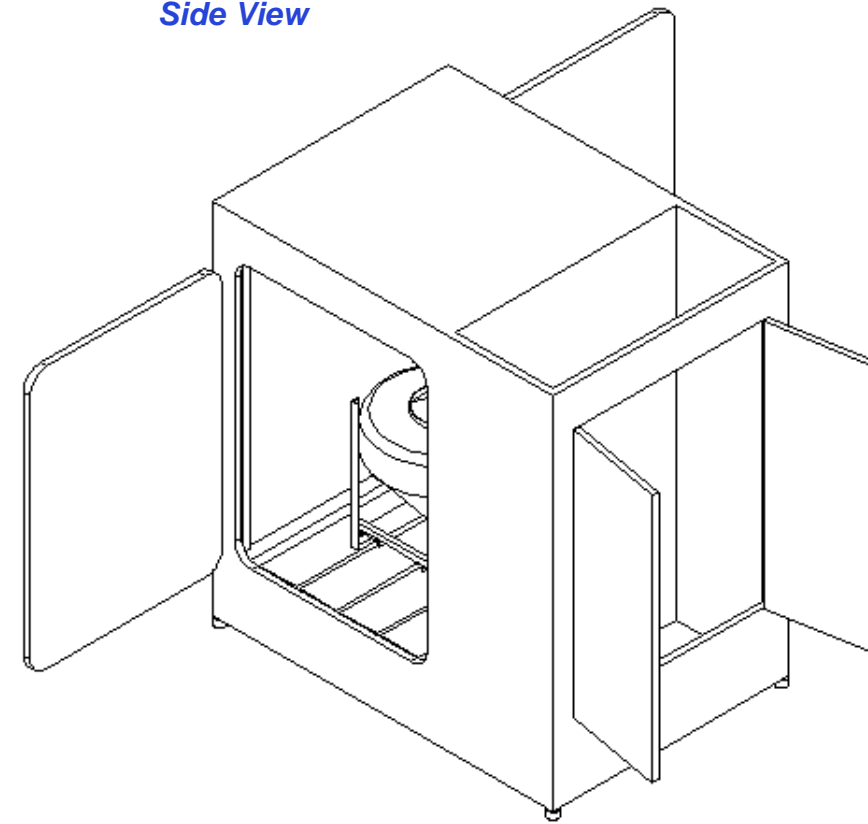
Front View



Side View



Top View



Dimensions

Part #	Dimensions mm		
	A	B	C
IBCWashBooth™1500	2,700	1,500	1,850
IBCWashBooth™2000	3,200	2,000	1,850
IBCWashBooth™2300	3,500	2,300	1,850
IBCWashBooth™2500	3,700	2,500	1,850
IBCWashBooth™2800	4,000	2,800	1,850
IBCWashBooth™3000	4,200	3,000	1,850
DuoBooth™	Various	Various	3,700

Height Note

Dryers can be located on top of the IBCWashBooth and/or self retracting spraydevices. Both options would increase the height of the unit.

Lean Technology

Adopting LEAN principles, all Suncombe products are developed to ensure they minimise utilities and time, whilst ensuring the safety of the operators and the efficiency of the cleaning. Utilising innovative fluid handling techniques, they incorporate a combination of traditional and new technologies to provide an environmentally friendly, low water and energy usage washing facility that is safe and ergonomic for the operators.

Validation/ Documentation

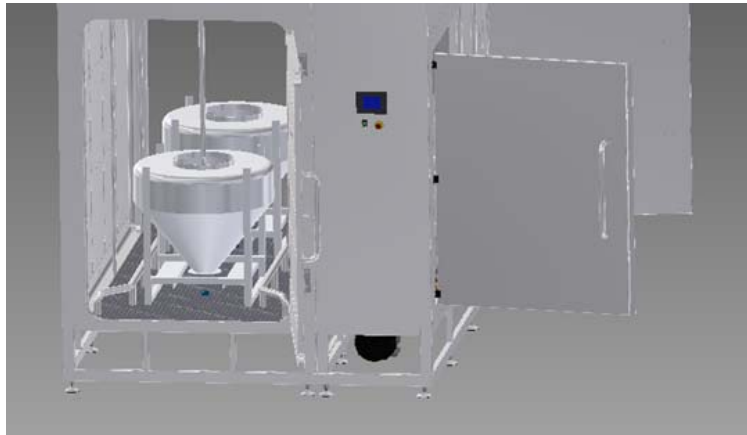
The lifecycle approach is adopted (DQ, FDS, HDS, SDS, FAT, SAT, IQ & OQ) with validation being key to every stage of the development process, including Factory Acceptance Testing (FAT), SAT and Qualification.

Custom Dimensions

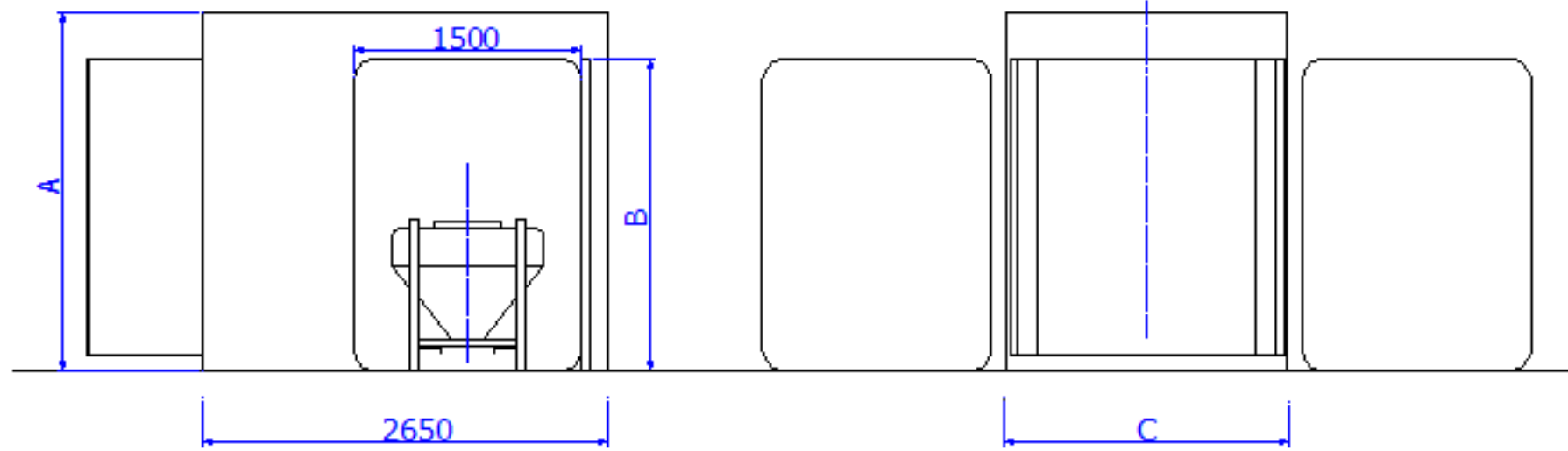
Due to the flexibility of our manufacturing methodology, we are able to provide the IBCWashBooth range to client preferred dimensions. This can be requested to aid ingress into a building or due to building constraints.

DuoBooth Model

The model below shows a DuoBooth cleaning two IBCs simultaneously.

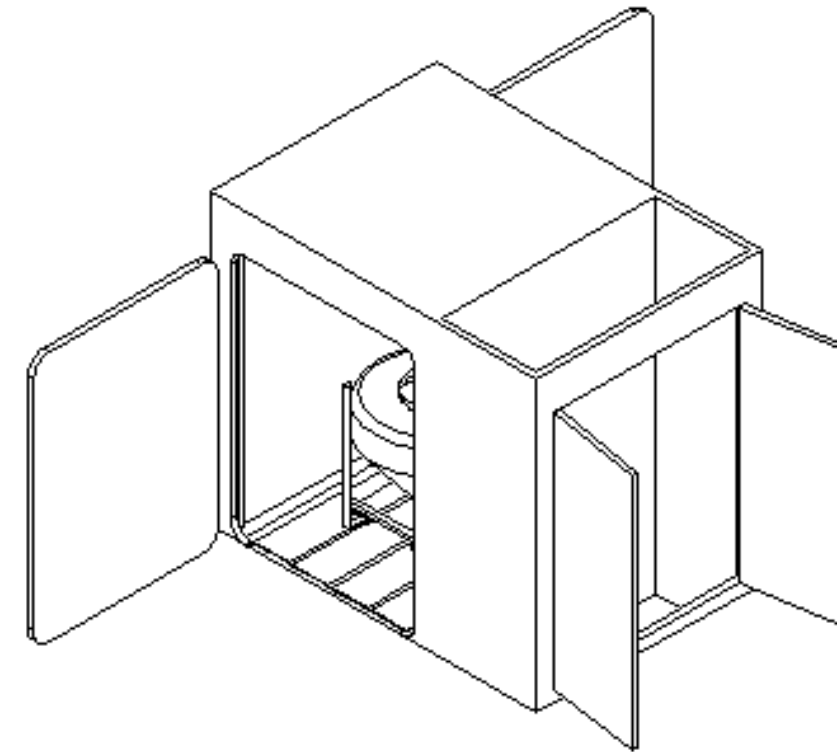
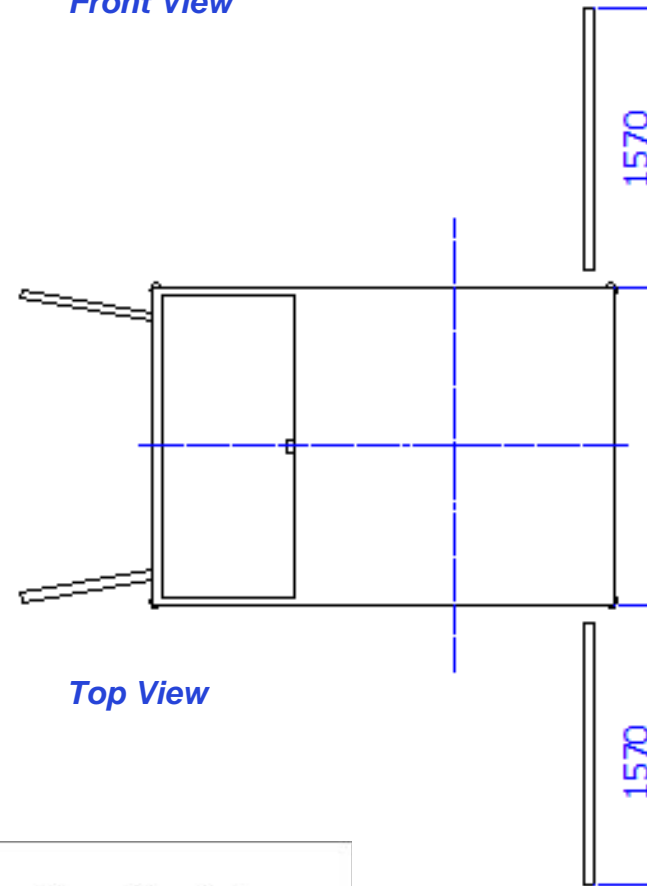


Pit Mounted IBCWashBooth™ Layout



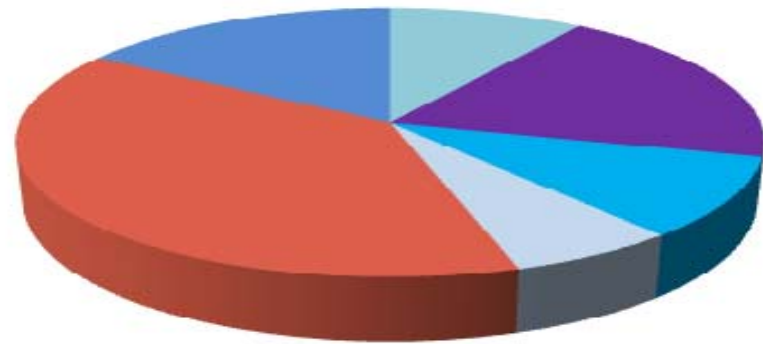
Front View

Side View



Top View

Typical Wash Cycle Times



- Pre-Rinse (3 mins)
- Detergent Rinse (6 mins)
- Final Rinse (3 mins)
- Air Purge (2 mins)
- Drying (12 mins)
- Cooling (5 mins)

Dimensions

Part #	Dimensions mm		
	A	B	C
IBCWashBooth™1500	2,100	1,500	1,850
IBCWashBooth™2000	2,600	2,000	1,850
IBCWashBooth™2300	2,900	2,300	1,850
IBCWashBooth™2500	3,100	2,500	1,850
IBCWashBooth™2800	3,400	2,800	1,850
IBCWashBooth™3000	3,600	3,000	1,850
DuoBooth™	Various	Various	3,700

Height Note

Dryers can be located on top of the IBCWashBooth and/or self retracting spray devices. Both options would increase the height of the unit.