



**SUNCOMBE**

CIP, BIOWASTE & PROCESS SOLUTIONS

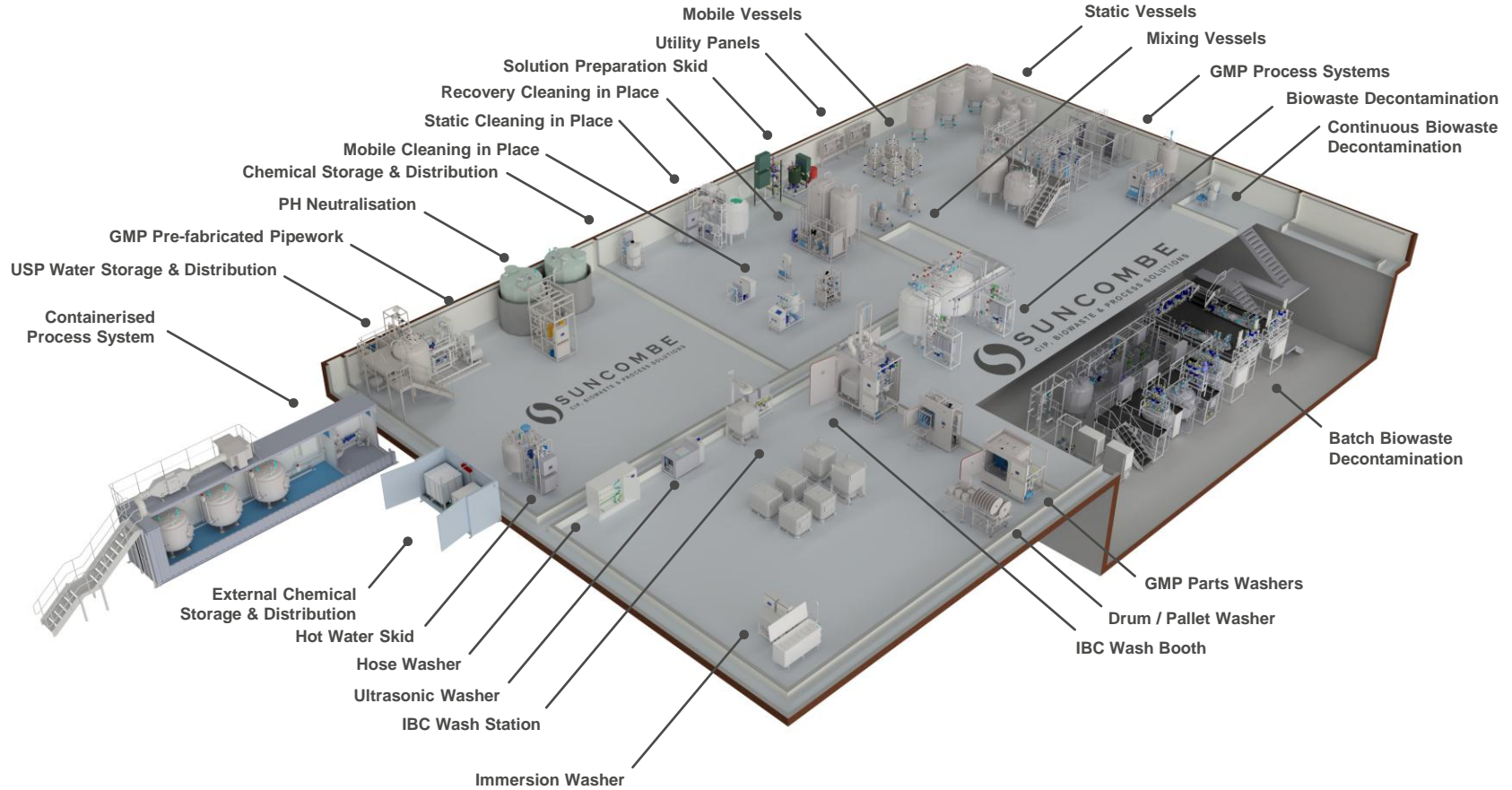
# SunFlo™ Transfer Panels



Suncombe Ltd, Jade House, Lockfield Avenue, Brimsdown, Enfield, Middlesex, EN37JY, United Kingdom

T +44(0)20-8443-3454 F +44(0)20-8443-3969 E [info@suncombe.com](mailto:info@suncombe.com) W [www.suncombe.com](http://www.suncombe.com)

[www.suncombe.com](http://www.suncombe.com)



# Product Portfolio

# SunFlo™ Transfer Panels

## Transfer Panel Introduction

A transfer panel, as defined by ASME BPE is 'a panel to which process and/or utilities are piped that mechanically precludes erroneous cross connections'. Suncombe were one of the worlds first manufacturers of transfer panels having been produced by Suncombe for over 50 years.

## Transfer Panel Design

Standard configurations and custom designed, the transfer panels are manufactured from 316 stainless steel and are available manufactured to two different standards; ASME BPE for Biopharma applications and Sanitary for food, dairy, brewery, personal care and other sanitary sectors.

## Drainability

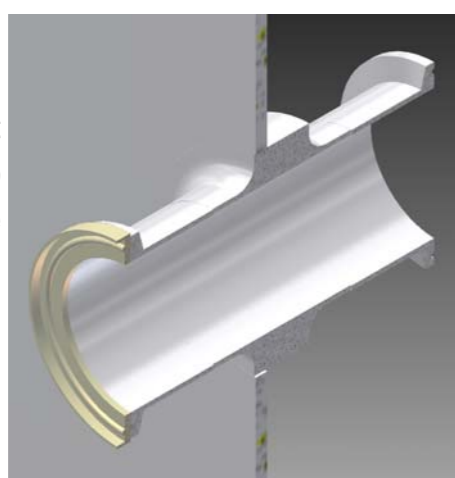
Transfer panels would be fully drainable sloped from approximately 2% to 5%.

## Transfer Panel Usage

Available as single straight forward routing panels, valves and instruments can also be fitted on the rear of the panels to provide more involved process solutions. They can be supplied in many different orientations including mounting on legs, on columns, or through wall openings.

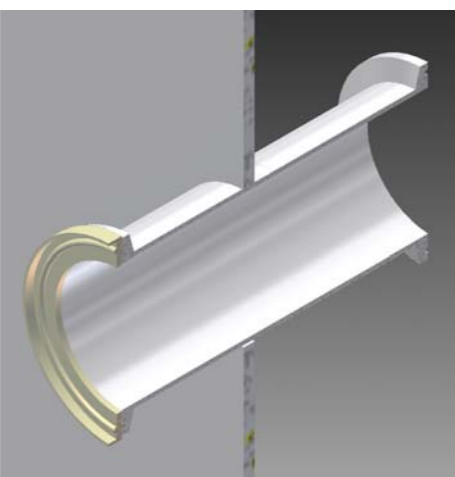
## ASME BPE Ports

The ports on the ASME BPE variant are individually machined prior to welding into the panel to ensure that there is no distortion of the internal port surface.



## Sanitary Ports

The ports on the Sanitary variant are laser profiled to provide a precision fit for 316 sanitary pipework and computer controlled welding into the panels.



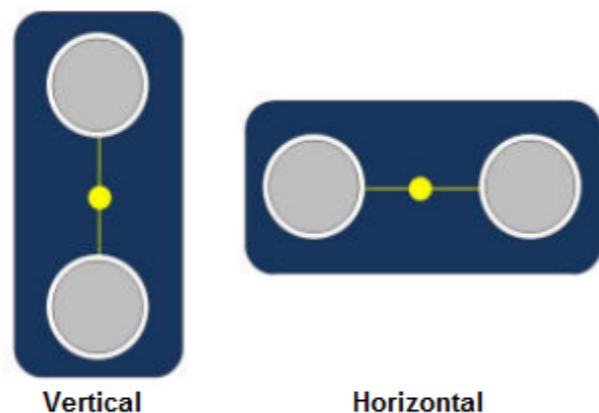
## Sanitary Standard

- Materials: Wetted parts 316 stainless steel, non wetted parts 304 stainless steel
- Finishes: wetted parts surface descaled and bead removed, non wetted parts satin polished
- Pipework Material: Welded 316 Stainless Steel tubing, fully annealed, chemistry to ASTM A-269, manufactured to ASTM A-270. Descaled bore, bead removed internally, polish 150 grit O.D.
- Pipework Standard: Configured to Good Manufacturing and Engineering Practices (cGMP). Designed to hygienic specifications. Free draining.
- T.I.G. Welding; using an argon gas purge, using a computer controlled enclosed head orbital welding plant, carried out by technicians coded to EN 287, to Suncombe procedures coded to EN ISO 15609, tested to EN ISO 15614 Part 1.
- Inspection: 100% visual
- Material Documentation: 2.2 certificates of conformity, generic welder certificates, welding machine certificates, welding procedures, no weld logs or weld maps
- Process fittings: Triclamp, BS1864, DIN, SMS, Flanged
- Documentation: Certificate of conformance, GA Drawing, P&ID, Visual inspection report

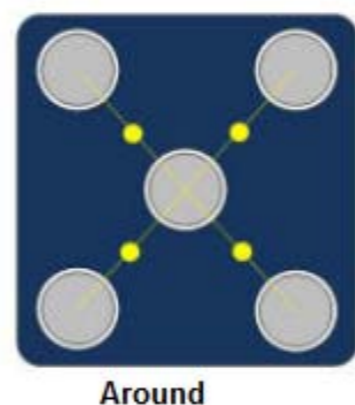
## ASME BPE Standard

- Materials: Wetted parts 316L stainless steel, non wetted parts 304 stainless steel
- Finishes: wetted parts surface RA 0.5um max, non wetted parts RA 0.9um max
- Pipework Material: ASME BPE standard, Welded 316L Stainless Steel Bio-pharmaceutical specification tubing, fully annealed, chemistry to ASTM A-269, manufactured to ASTM A-270, and 3A Standard.
- Pipework Standard: Configured to Good Manufacturing and Engineering Practices (cGMP). Designed to ASME BPE specifications. Free draining.
- T.I.G. Welding; using an argon gas purge, using a computer controlled enclosed head orbital welding plant, carried out by technicians coded to EN 287, to Suncombe procedures coded to EN ISO 15609, tested to EN ISO 15614 Part 1.
- Inspection: 100% visual external
- Material Documentation: 3.1b material certificates linked to each part, weld maps, weld logs, welder certificates, welding machine certificates, welding procedures. Welding profiles and maps will be compiled for all welds.
- Process fittings Triclamp
- Documentation: Full validation documentation package.

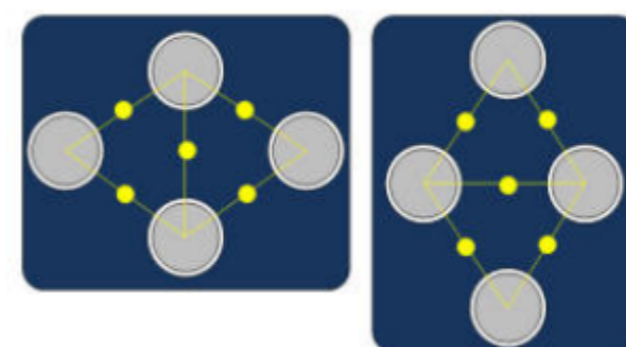
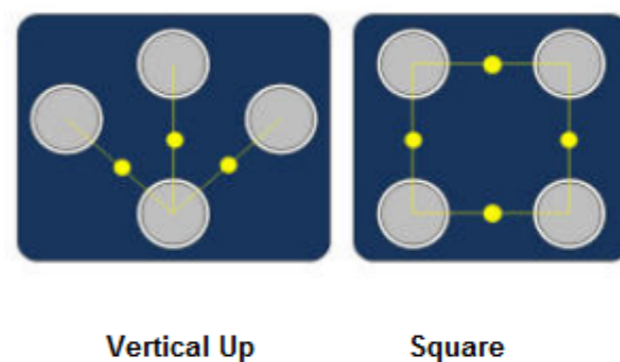
2 Port



5 Port

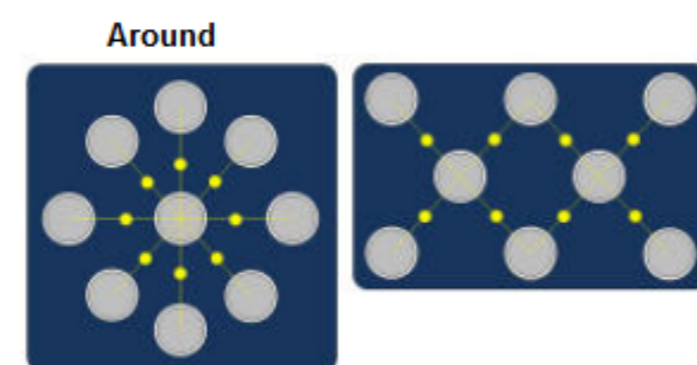


4 Port

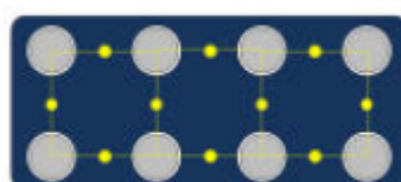


Diamond Horizontal Diamond Vertical

More Port



Around Twin Diamond

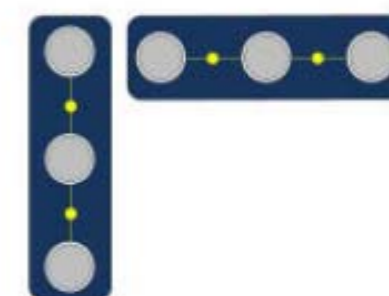


Twin Square

3 Port

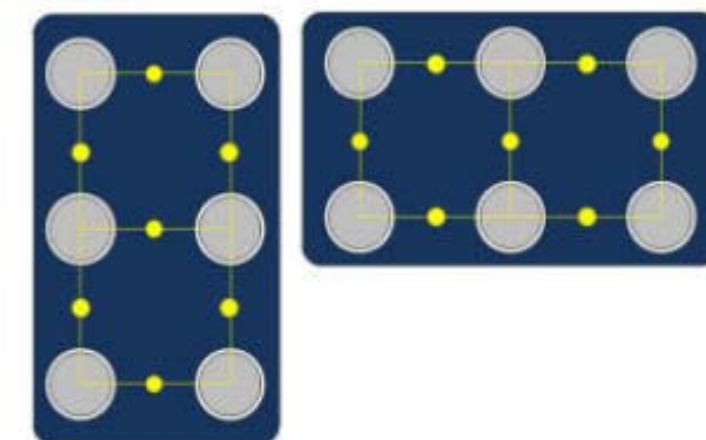


Horizontal Down Vertical Horizontal Up



Vertical In Line Horizontal In Line

6 Port



6 square vertical 6 square horizontal

## Options and Ancillaries

- Stainless Steel, Incolloy and hastelloys
- Triclamp, BS1864 RJT, DIN, flanged and plain end connections
- 180° swing bends
- Switches for swing bend position
- Thru-wall mounting versions
- Drip trays



## Associated Equipment



## Sanitary Vessels



## BioWaste Effluent Treatment



## MobileCIP™



Triclamp and other hygienic fittings