



SUNCOMBE

CIP, BIOWASTE & PROCESS SOLUTIONS

pH Neutralisation Skids



Suncombe Ltd, Jade House, Lockfield Avenue, Brimsdown, Enfield, Middlesex, EN37JY, United Kingdom

T +44(0)20-8443-3454 **F** +44(0)20-8443-3969 **E** info@suncombe.com **W** www.suncombe.com

www.suncombe.com

SUNpH Neutralisation Systems

Suncombe **SUNpH Neutralisation Systems** are used for neutralising acids and alkalis and to buffer and control the outgoing effluent stream. Developed for use in the pharmaceutical, biotech and other critical sectors, they can accept waste streams from processing, CIP, Washer and laboratories. They encompass the high quality of construction and documentation required in these sectors.

Features

- Developed and manufactured in the United Kingdom
- Designed for reliable, efficiency and validatable performance
- Single or dual neutralization System available with a range of volumes for to suit the waste generation
- Tanks Liquid bunds fitted
- Variable Speed Dosing control to cater for varying demands
- High quality stainless, duplex, PE and compatible material Neutralisation Tanks
- Stainless steel framework and control panels
- 316 stainless steel pipework as standard
- Duplex steel or plastic pipework for chemical compatibility
- Safety Interlocks to SIL3
- High, low and mid level sensing, indication and interlock
- Pressure relief and safety devices
- Risk assessment, method statements, operating instructions and full documentation
- 2D drawings and 3D models supplied

Manufacturing Standards

- 304/316 stainless steel non-wetted parts and framework
- 316 stainless steel product contact parts, 304 non-contact parts, Hastelloy, Duplex Stainless and plastic for chemical compatibility
- T.I.G. Welding; using an argon gas purge, carried out by technicians coded to EN 287, to Suncombe procedures coded to EN ISO 15609, tested to EN ISO 15614 Part 1.
- Electrical and safety design EN 60204



Automation

Offering total flexibility with manual, semi-automatic, automatic and recipe controlled operation, they are designed to be operator friendly and simple to use whilst providing flexibility and optimisation. Reliable and robust, they have been developed over the last 55 years in co-ordination with clients operations staff, engineers and validation staff. They encompass all elements required to provide an accurate, safe, controllable, repeatable system.

Options

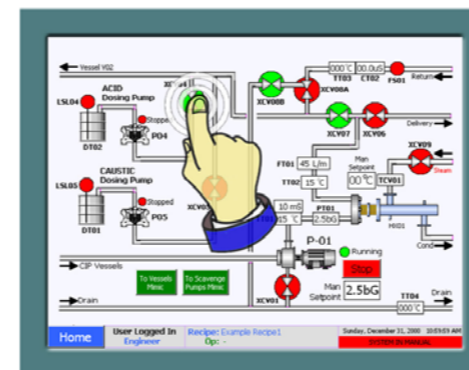
- Standard units available or custom designed to suit your application
- Single or dual storage tanks available
- Range of different incoming and outgoing flowrate duties available to suit requirement
- Stainless steel or plastic guards and covers available
- On board mixing systems together with heating and cooling available
- Static versions for internal or external weatherproof location
- Alternative voltages and build standards for international supply
- Automation integration for multiple systems or for external control systems
- Dataloggers for reporting and records
- Modem link to Suncombe headquarters for on line monitoring
- ATEX or safe area versions



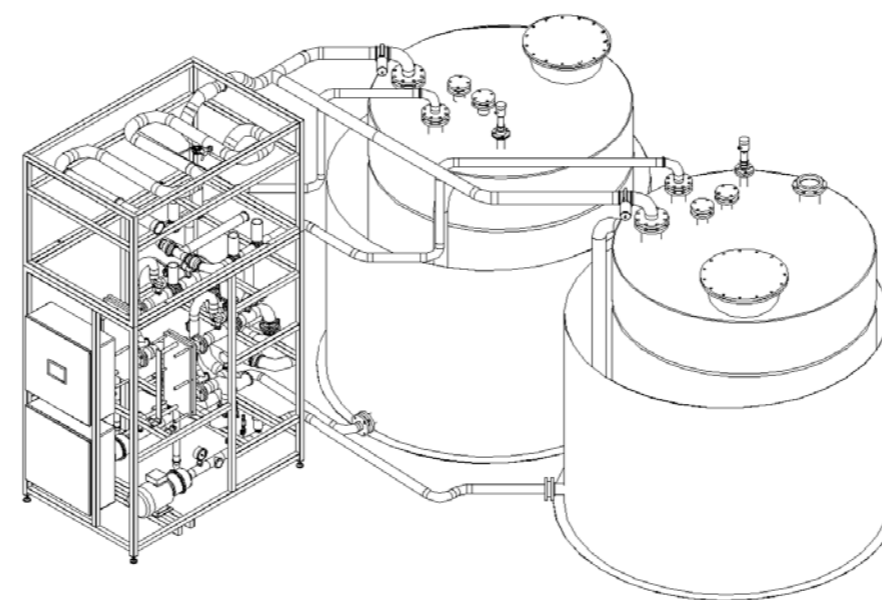
SUNpH



Level 1000 Basic System

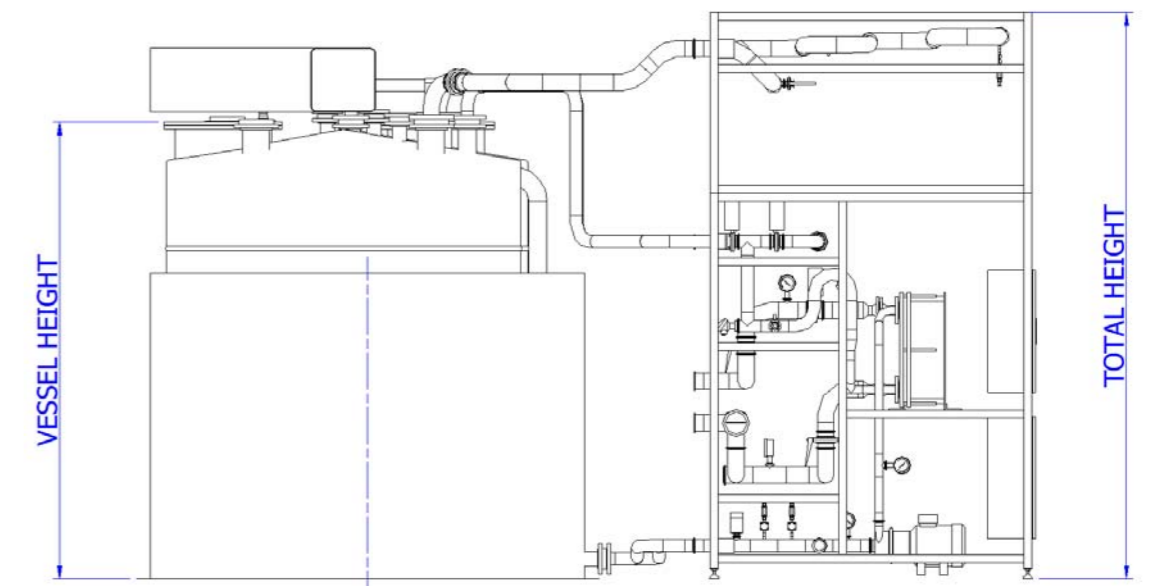


Level 3000 Advanced System

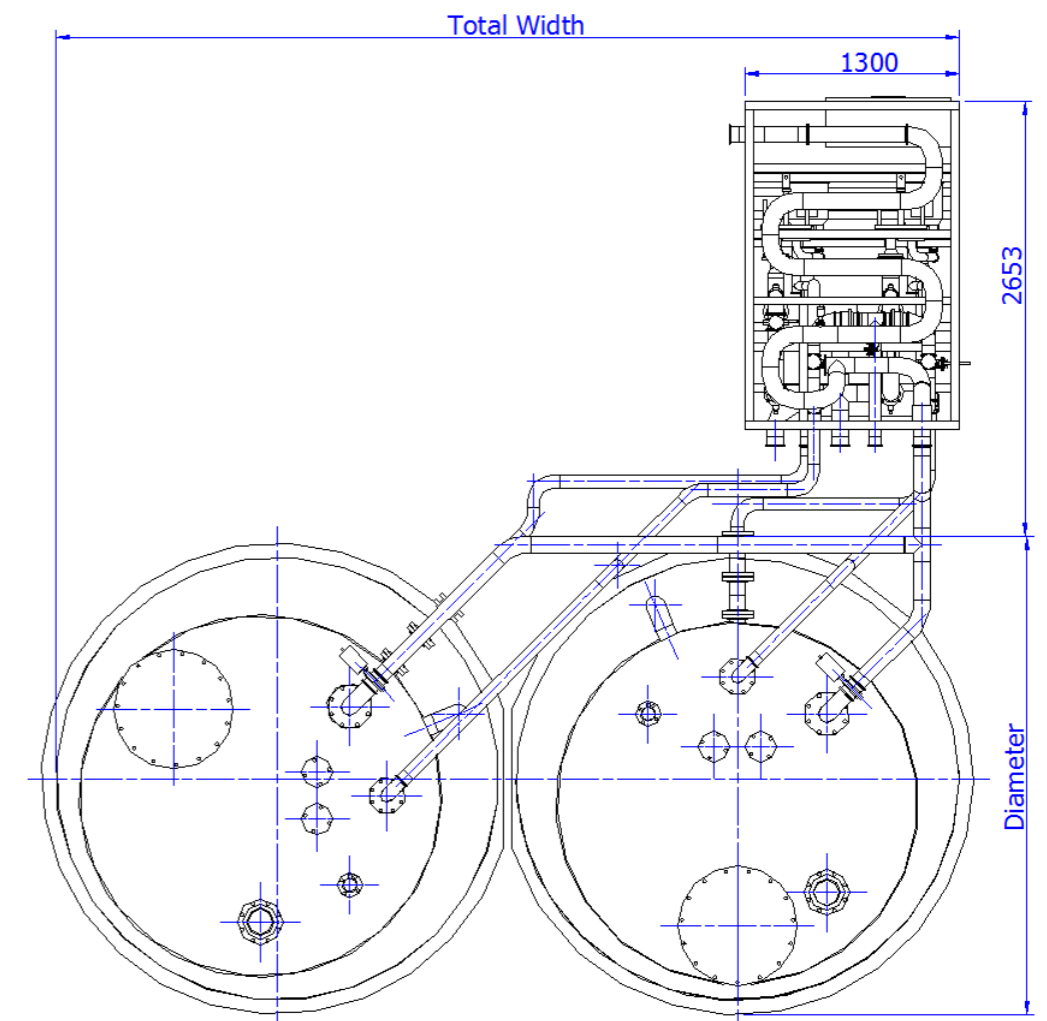


SUNpH™10000/2 View

Equipment Dimensions



Elevation View



Plan View

Part #	Duty Details			External Dimensions mm			
	Tank Volume (litres)	Max. Inlet Flowrate (litres per minute)	Outlet Pressure (barg)	Width	Diameter	Total Height	Vessel Height
SUNpH™1000/2	2 x 1000	150	0 - 3	4653	2000	2300	1500
SUNpH™1500/2	2 x 1500	250	0 - 3	4953	2300	2300	1500
SUNpH™2000/2	2 x 2000	400	0 - 3	4953	2300	2500	2000
SUNpH™3000/2	2 x 3000	400	0 - 3	5153	2500	2900	2500
SUNpH™4000/2	2 x 4000	1000	0 - 3	5453	2800	2900	2500
SUNpH™5000/2	2 x 5000	1000	0 - 3	5553	2900	2900	2500
SUNpH™6000/2	2 x 6000	1000	0 - 3	5553	2900	3200	2800
SUNpH™10000/2	2 x 10000	1250	0 - 3	5553	2900	3300	2900

